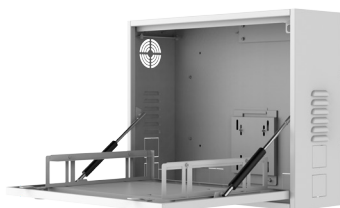


# DH-PFC301N

Wall-mounted All-in-One CCTV Cabinet -White-DH-PFC301N



## Series Overview

Built of high-quality material, the Wall-Mounted All-in-One CCTV Cabinet features an exceptional design tailored for indoor security systems. It can be flexibly equipped with modules to meet the needs of different scenes and installation environments.

## Technical Specification

### General

Material	SPCC (The thickness is 1.2 mm) (0.05")
Appearance Color	White
Installation	Wall mount
Protection Grade	IP20
Load Bearing Capacity	50 kg (110.23 lb)
Cabinet Lock	2 × Locks on front door
Alarm	1 × Alarm Signal Output
Compatibility	NVR/DVR base: Supports the installation of Dahua storage devices, with a maximum compatible storage device size: 375 mm × 329.6 mm × 53 mm (14.76" × 12.99" × 2.09") (L × W × H). Monitor: Fits up to 22" monitor, with 75/100 VESA mounts. Ventilation: 1 × Fan. Power: 1 × PDU with 4 outlets. (The above compatible devices are all Dahua devices)
Operating Temperature	-35 °C to +70 °C (-31 °F to +158 °F)

- Designed to host video surveillance systems, supports wall-mount installation, and its front cover can be opened to a 90-degree angle, facilitating installation during construction and maintenance.
- Made of high-quality galvanized steel plate, safe and reliable, and is compatible with various types of equipments, including displays, DVRs and NVRs.
- Designed for storing DVRs and NVRs for video surveillance systems and features a dual-lock design for enhanced data protection.
- The enclosure can accommodate 75 × 75 or 100 × 100 VESA monitors to safeguard your devices from unauthorized access.
- Equipped with passive ventilation grilles and cable outlets on the side and rear of the device.

Operating Humidity	<90% (RH)
Storage Temperature	-40 °C to +60 °C (-40 °F to +140 °F)
Storage Humidity	10%–90% (RH)
Net Weight	13.5 kg ± 0.5 kg (29.76 lb ± 1.10 lb)
Gross Weight	14.5 kg ± 0.5 kg (31.97 lb ± 1.10 lb)

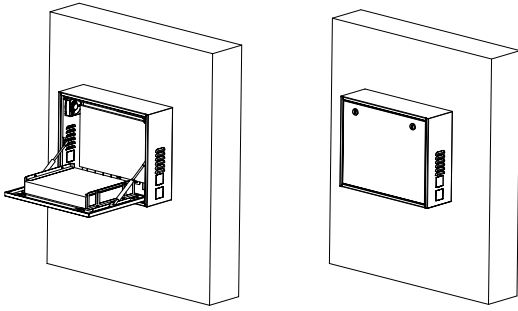
### Packaging

Product Dimensions (W × H × D)	550 mm × 440 mm × 170 mm (21.65" × 17.32" × 6.69")
Packaging Dimensions (W × H × D)	651 mm × 552 mm × 271 mm (25.63" × 21.73" × 10.67")

## Ordering Information

Type	Model	Description
Cabinet Series	DH-PFC301N	Wall-mounted All-in-One CCTV Cabinet (Suit for UPS)-White-DH-PFC301N
Accessories (Optional)	PFC620-D1	Special Cooling Fan for Outdoor Surveillance Box
	ZZM10/PDU(4 European 250)	European standard PDU with 4*outlet

Installation



Dimensions (mm[inch])

